

## Specification sheet LX 472

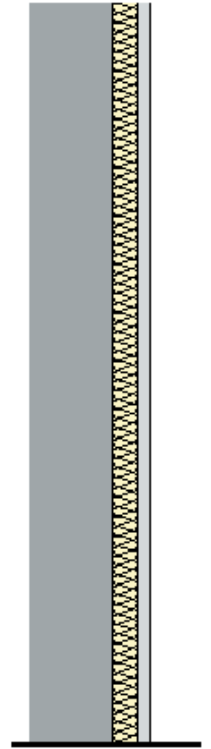
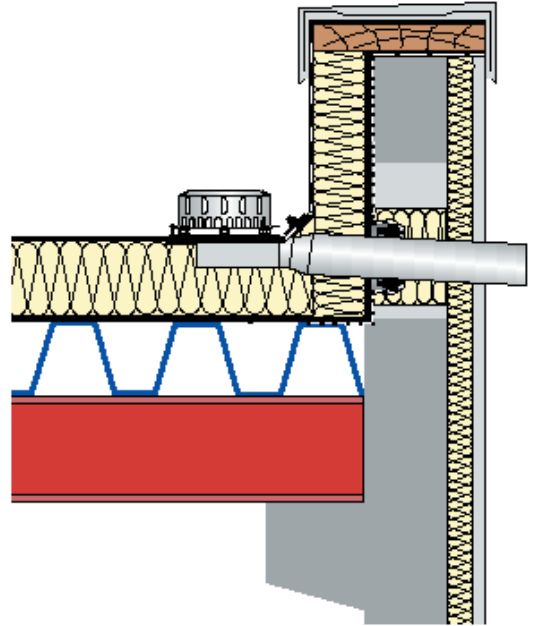
### Parapet roof drainage systems Series 89 RAINSTAR® with roof penetration of 55 mm as spout

**Main Drainage**

Gravity flow

Silent

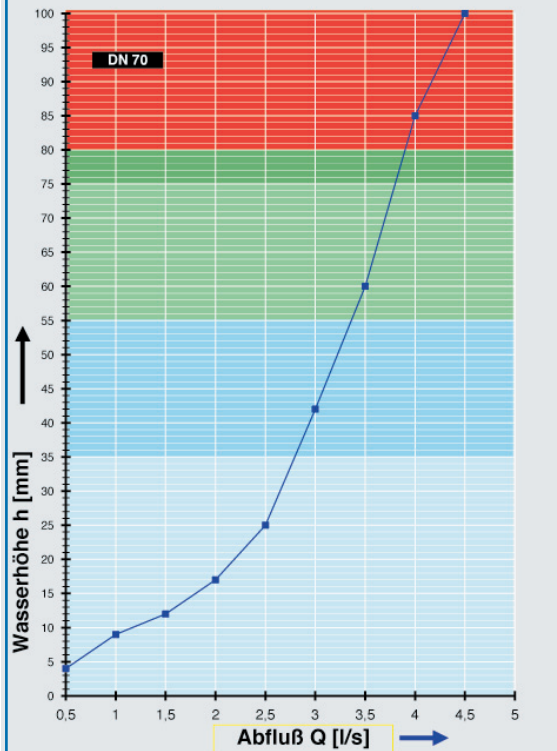
<b>Discharge rate:</b>	<b>2,7 l/sec</b>
<b>Water height:</b>	<b>35 mm</b>
<b>Roof penetration:</b>	<b>55 mm</b>
<b>Diameter:</b>	<b>DN 70</b>
<b>LX-Number:</b>	<b>LX 472</b>
<b>Weir height:</b>	<b>0 mm</b>
<b>Drain:</b>	<b>ventilated</b>
<b>Downpipe:</b>	<b>-</b>
<b>Downpipes height:</b>	<b>0 m</b>
<b>Drainage:</b>	<b>on floor</b>



**LX 472 Piece list**

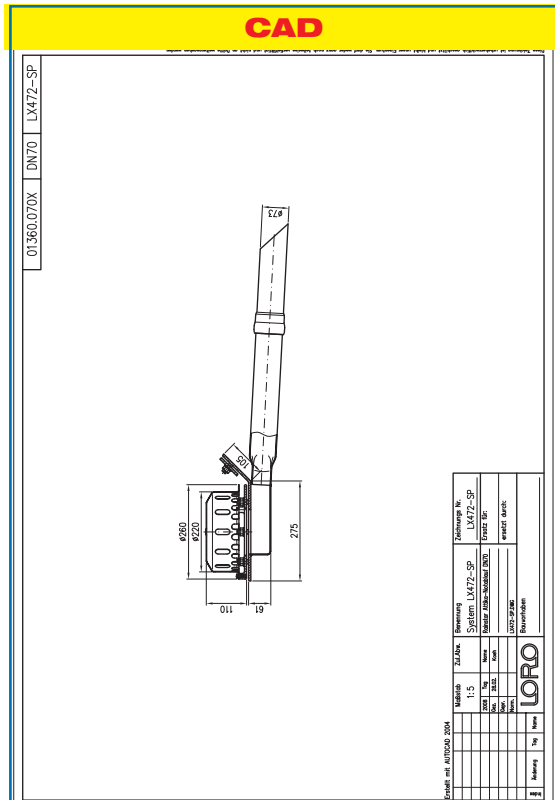
- 1 x Art.-Nr. 01360.070X, RAINSTAR® parapet drain
- 1 x Art.-Nr. 01401.070X, LORO-X Pipe with one socket
- 1 x Art.-Nr. 13235.070X, LORO-X Sliding flange
- 1 x Art.-Nr. 00911.070X, LORO-X Sealing element
- 1 x Art.-Nr. 00986.000X, LORO-X Lubricant

**hQ - Head-Discharge curve**



**Systempower**

**CAD**



**Systemshape**

Water height	mm	5	10	15	20	25	30	<b>35</b>	40	45	50	55	60	65	70	75
Discharge	l/sec	0,5	1,1	1,7	2,2	2,5	2,6	<b>2,7</b>	2,9	3,1	3,2	3,3	3,5	3,6	3,7	3,8
<b>Silent</b>																

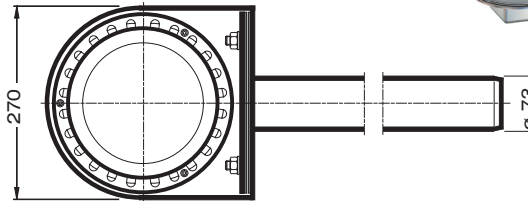
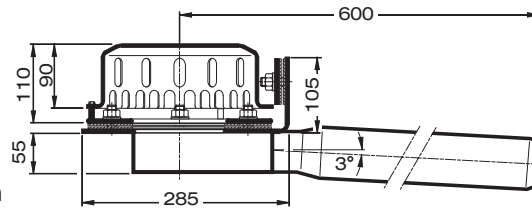
**System variants for LORO-X RAINSTAR® parapet drains**

DN 70

**LX472-1X**

Drain Art.-No. 01362.070X  
Weight: 8,2 kg

**Series 89**  
**with roof penetration of 55 mm**  
clamping flange 90°  
for plastic roofing sheets



**LX472-2X**

Drain Art.-No. 01360.070X  
Weight: 8,0 kg

**Series 89**  
**with roof penetration of 55 mm**  
clamping flange 45°  
for bituminous roofing sheets

